

Three-dimensional Air Supply Panel Installation Manual

Model: PE-FBA-C
PE-FCA-C

Note:

Read this Manual before installation and install as per this Manual.
Pass on this Manual to the user after the installation is complete.
Keep this Manual safe for future reference.

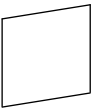


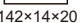



1 Precautions

The installation and maintenance of the product must be operated by qualified professionals.
If the product is configured with Hi-Nano accessories, the panel shall be installed after the Hi-Nano installation.

The pictures in this Manual are for reference only and the specific physical product shall prevail.

2 Confirmation of accessories

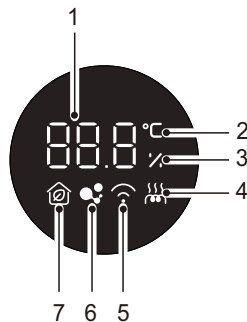
Confirm that there are components in the packaging box in addition to the panel:

Installation Manual	Panel	Panel flange	Insulation foam (mm)
			 142×14×20 Black×2
x1	x1	x1	 760/1030×45×5 Gray×2
			 150×25×5 Gray×2
			 70×30×5 Gray×1

Before on-site installation, disassemble the outlet panel and panel flange that are factory assembled together.

3 Display panel

- Temperature/humidity indicator**
Display indoor set temperature or indoor temperature. Display indoor humidity (models without a humidity sensor do not display).
- Temperature Unit (°C) indicator**
It lights up when the air conditioner displays with Celsius temperature, and stops lighting when it is displays with Fahrenheit temperature.
- Humidity Unit (%) indicator**
It lights up when display humidity.
- Electric heater indicator** (It is only valid for the air conditioner with electric heater function.)
It lights up during heating mode when electric heater is on.
It stops lighting when heater is completed.
- Wi-Fi receiver**
It lights up when Wi-Fi is connected.
It stops lighting when Wi-Fi is disconnected.
- Health indicator** (It is only valid for the air conditioner with health function.)
It lights up when the health function is on.
It stops lighting when health function is off.



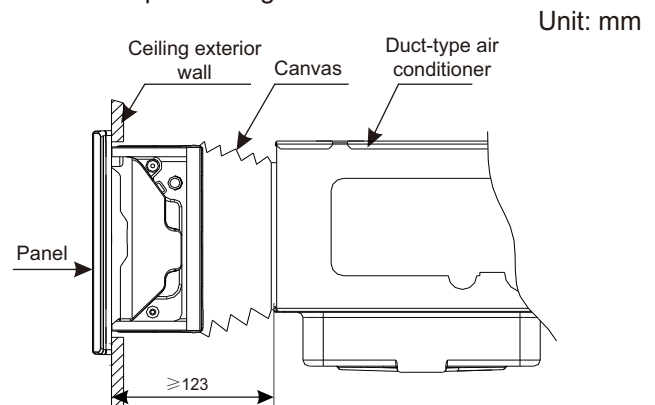
- Fresh air indicator** (It is only valid for the air conditioner with fresh air function.)
It lights up when fresh air function is on.
It stops lighting when fresh air function is off.

4 How to install

Carry out soft connection between panel and duct-type air conditioner by means of canvas With preferred thickness of more than 10 mm, and flame-retardant grade of UL94 HF-1.

Installation method

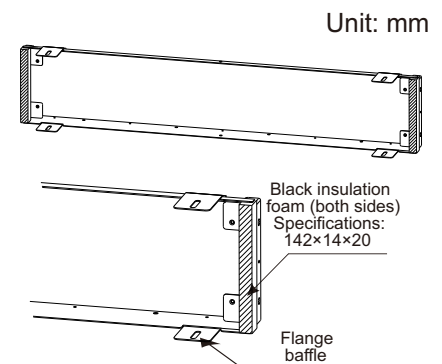
When hanging the ceiling, connect one end of canvas with the outlet flange of indoor unit, connect the other end of canvas with the panel flange, and paste black insulation on both sides of panel flange.



Installation position diagram of duct-type air conditioner in soft connection

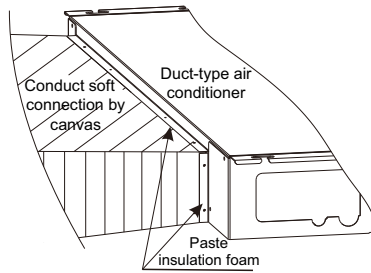
Installation steps

- Step 1**
Paste two black insulation foams (142×14×20) on both sides of panel flange.



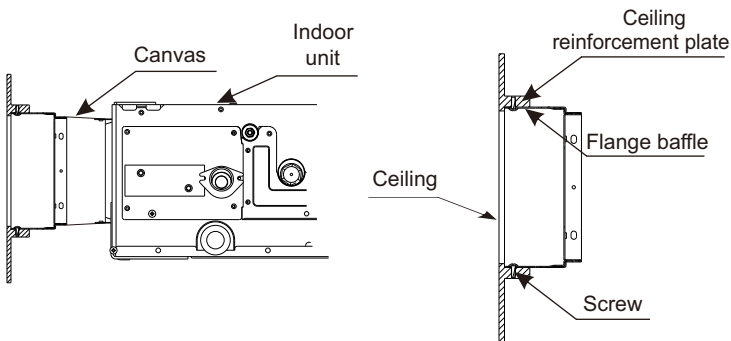
- Step 2**
Connect the canvas with outlet flange, and note that the corners are wrinkled and fixed, with a wrinkled width of 10mm–15mm. On site, press the self-provided wood strip or metal sheet at the connection of canvas and outlet flange, and fix the connection with screws.

Step 3
After fixing is complete, paste the attached gray insulation foam around the connection of canvas and outlet flange to ensure that no metal parts such as screws and flanges are exposed.

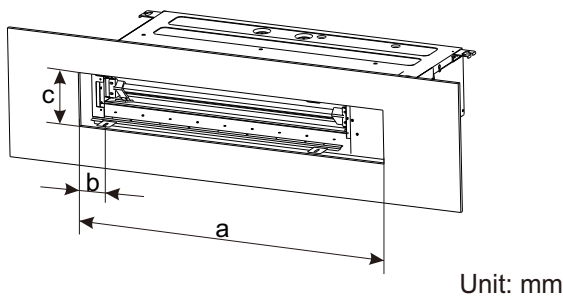


Step 4
Connect the other side of canvas to panel flange and fix them with screws. Conduct connection and fixation as per Step 2.

Step 5
Consider the baffle spot-welded on the flange as the locating point of the ceiling mounting port, and with an opening in the ceiling, use screws to fix the baffle of panel flange to the ceiling reinforcement plate.

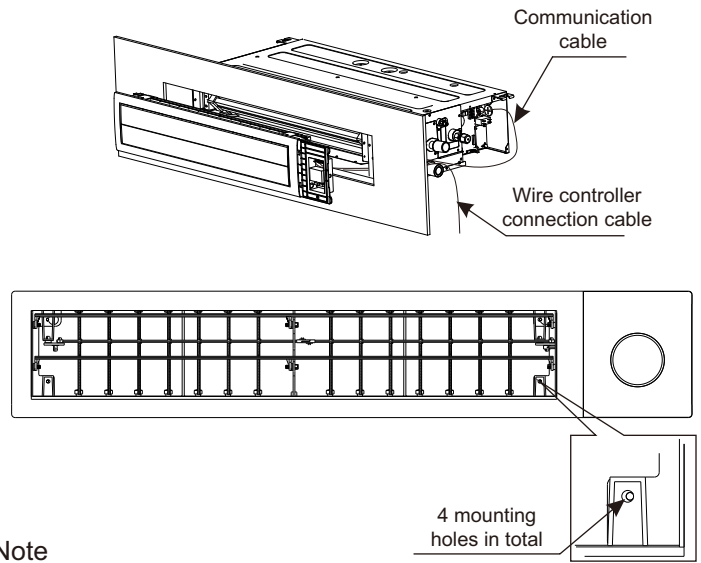


Refer to the diagram below for ceiling opening size.



Panel model	a	b	c
PE-FBA-C	910~920	42	150
PE-FCA-C	1180~1190	198	150

Step 6
Place the communication cable and wire controller connection cable into the ceiling opening, push the panel into the flange, and manually turn the horizontal air deflector until the four screw mounting holes of outlet panel are visible. After confirming the alignment of panel and flange hole, fasten with M4 screws, and stop hitting screws when the panel and the ceiling are tight without any gap.

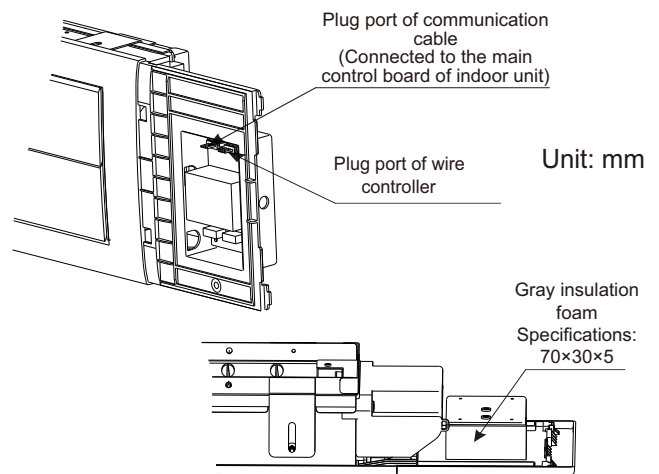


Note

- Do not place the exterior face of panels downward or on a raised object to avoid surface damage to the panels.
- Before the panel installation, confirm that the horizontal air deflector of panel is tightened with the drive axle, but if not, tighten it first.
- Confirm whether the mounting port size, and the distance between the outlet of indoor unit and the mounting port are proper.
- Confirm that the ceiling at the installation position is solid enough, and if not, reinforce the openings to make it strong enough.
- Confirm that the indoor unit is parallel to the ceiling.
- Confirm that there is no gap between the outlet panel and the ceiling. If there is a gap, check the screws for tightness when the panel is fixed to the flange. If the gap cannot be eliminated, install the outlet panel after adjusting the distance between the indoor unit and the ceiling.

Wiring

Connect the communication cable to the wire controller interface of main indoor unit board and ensure the firm connection. Connect the wire controller connection cable to the plug port of wire controller of panel display board. After finishing the wiring, seal the foam to the wiring port to avoid condensation and insects from entering.



5 On-site test run

After the panel is installed, conduct a test run as per the installation manual of indoor unit, operate it with the wire controller, and check whether the panel display is normal.

